



AFC Srl Handling Equipment

20122 Milano - V.le Regina Margherita 30 - +39 02 98876001

29017 Fiorenzuola d'Arda (PC) - Via Gobetti 4 - +39 0523 349769

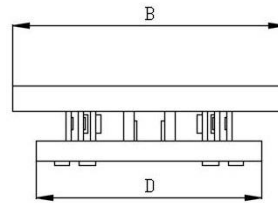
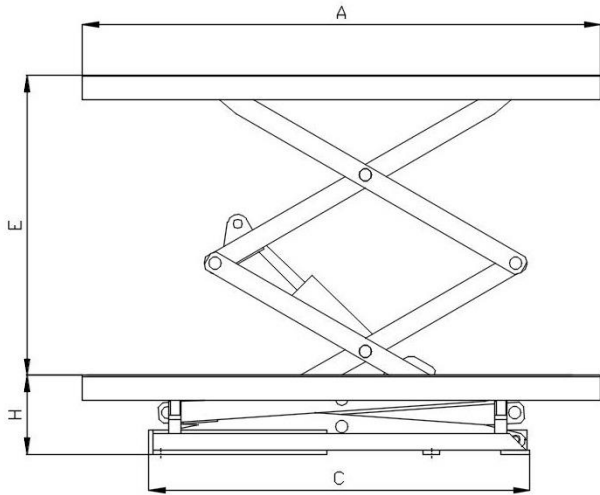
info@afchandling.com

www.afchandling.com

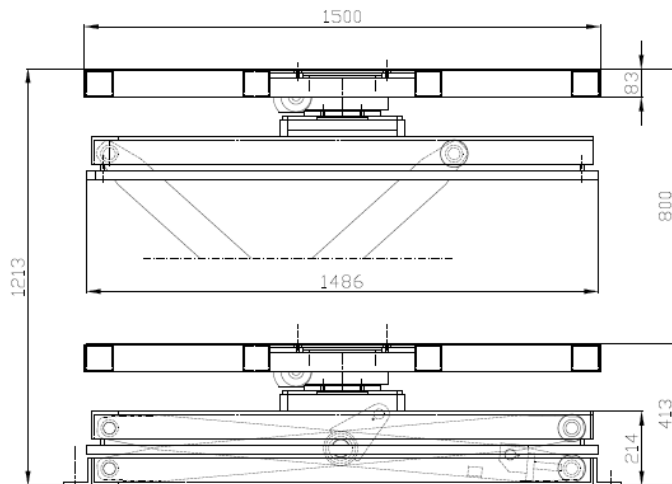
PEX 15.2



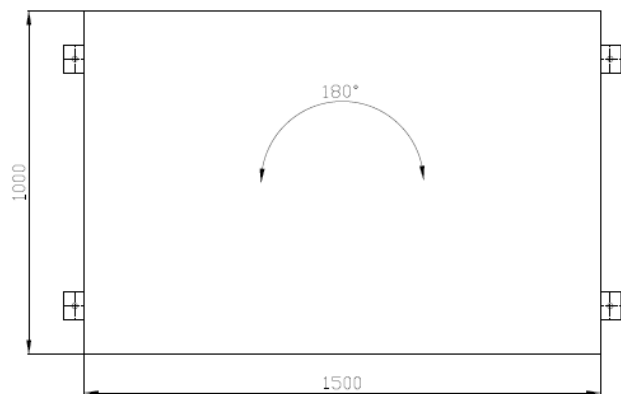
PEX 15.1 - ROT



PEX.2



TYP	A (mm)	E (mm)	H (mm)
PEX.1 2000 kg	1400	800	260
	1800	1200	260
	2200	1600	260
PEX.2 1600 kg	1400	1600	380
	1800	2000	380
	2200	2400	380



PEX.1